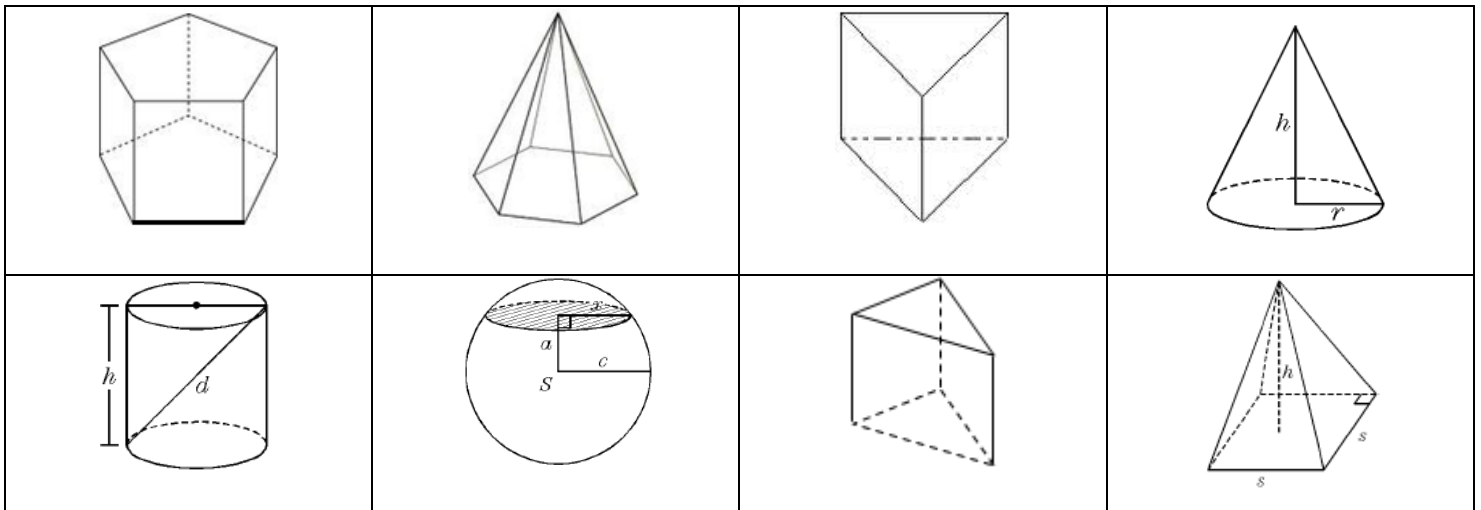


Name: _____

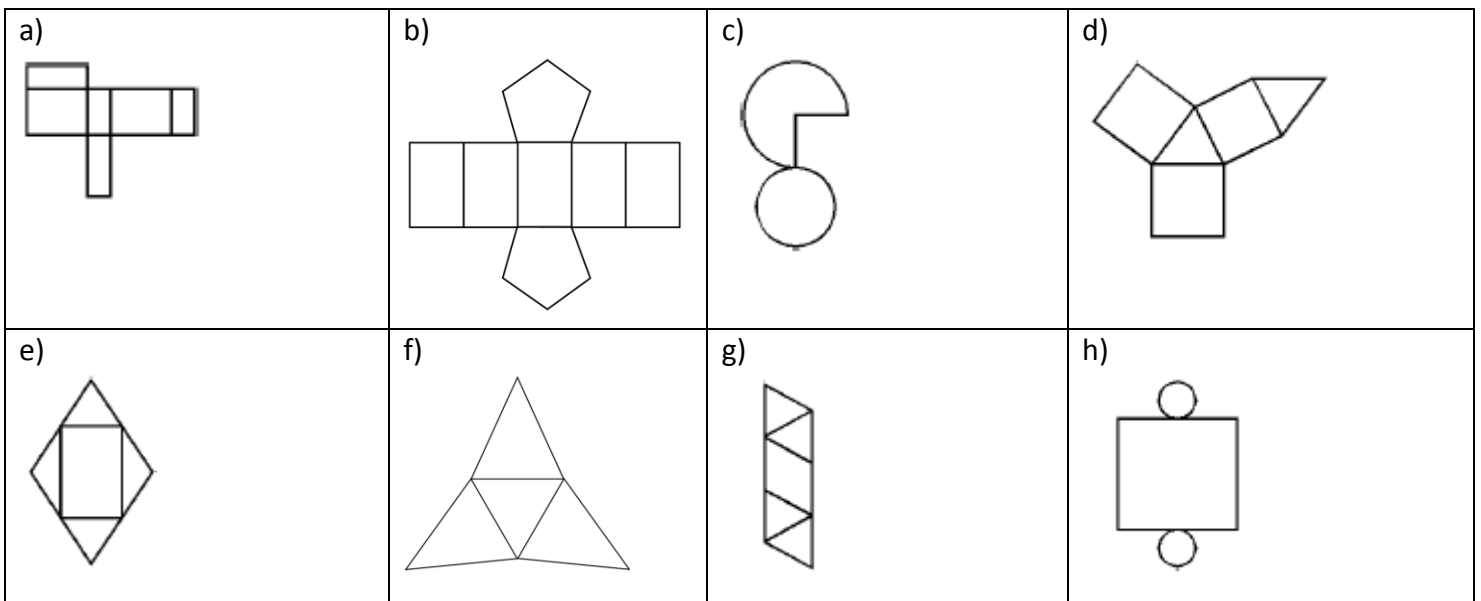
Date: _____

Math 8 Chapter 8 Review Surface Area of 3D solids

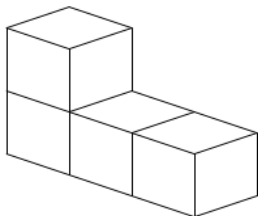
1. Name each of the following solids:



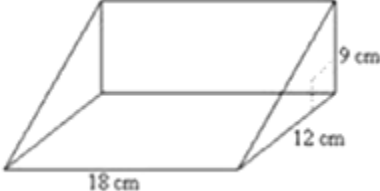
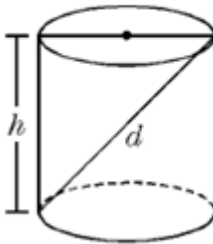
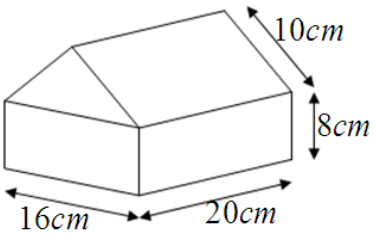
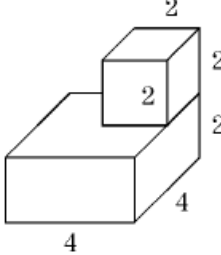
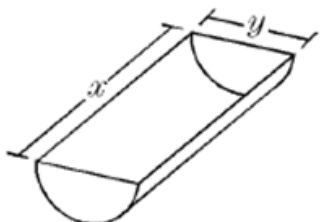
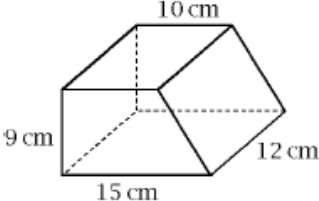
2. Name the solid given each net:

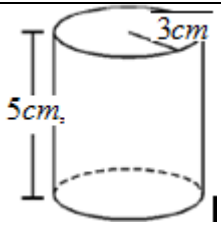


3. Draw a Net for the following solid and find the surface area

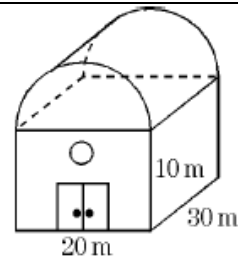
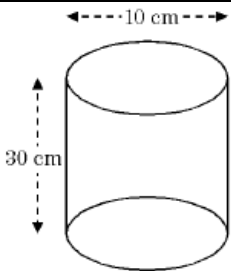
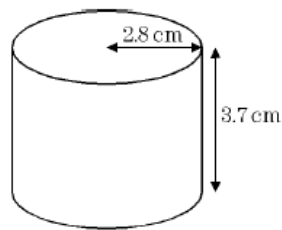
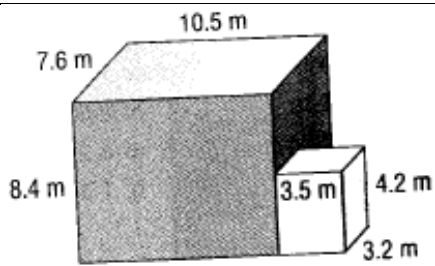
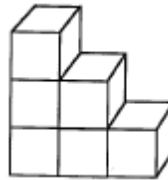


4. Find the surface area of the following solid:

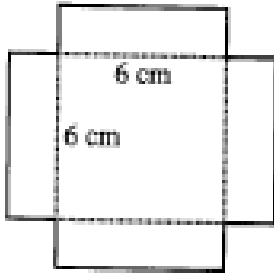
	<p>$h = 24\text{cm}, r = 40\text{cm}$</p> 
	
<p>$x = 12\text{cm}, y = 6\text{cm}$</p> 	



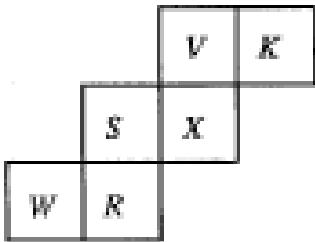
Each block is 1cm by 1cm by 1cm



5. A square sheet of metal has four smaller squares removed from the corners as shown in the diagram. The metal is folded along the dotted lines to form an open box having 6cm by 6cm and volume 72cm^3 . What is the height and surface area of the box?



6. When the figure is cut out and folded to make a cube, the letter W is on one face. Which letter is on the opposite face?



7. The sum of all the edges of a cube is 144cm. What is the surface area of the cube?

8. Challenge: A $5 \times 5 \times 5$ cube is formed by using $1 \times 1 \times 1$ cubes. A number of smaller cubes are removed by punching out the 15 designated columns from front to back, top to bottom, and side to side. How many smaller cubes remain?

