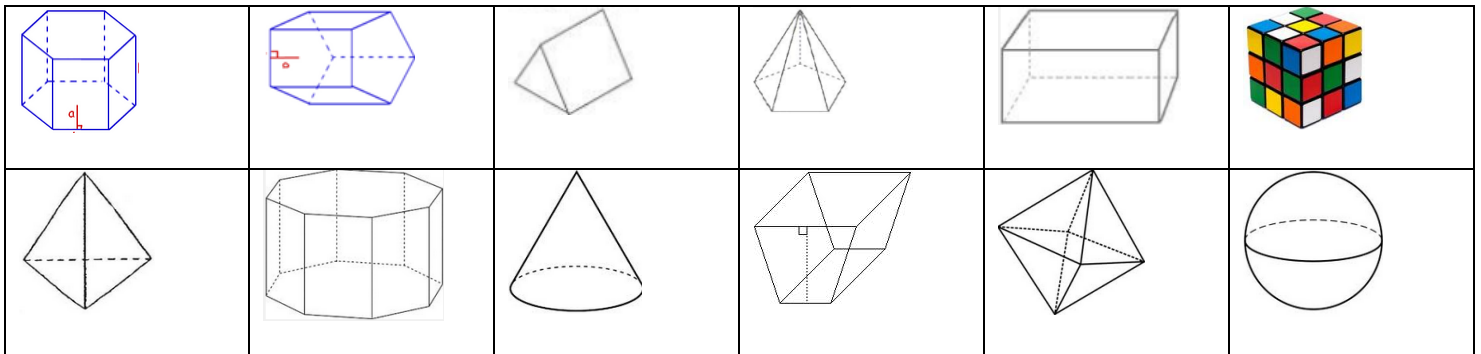


Name: _____

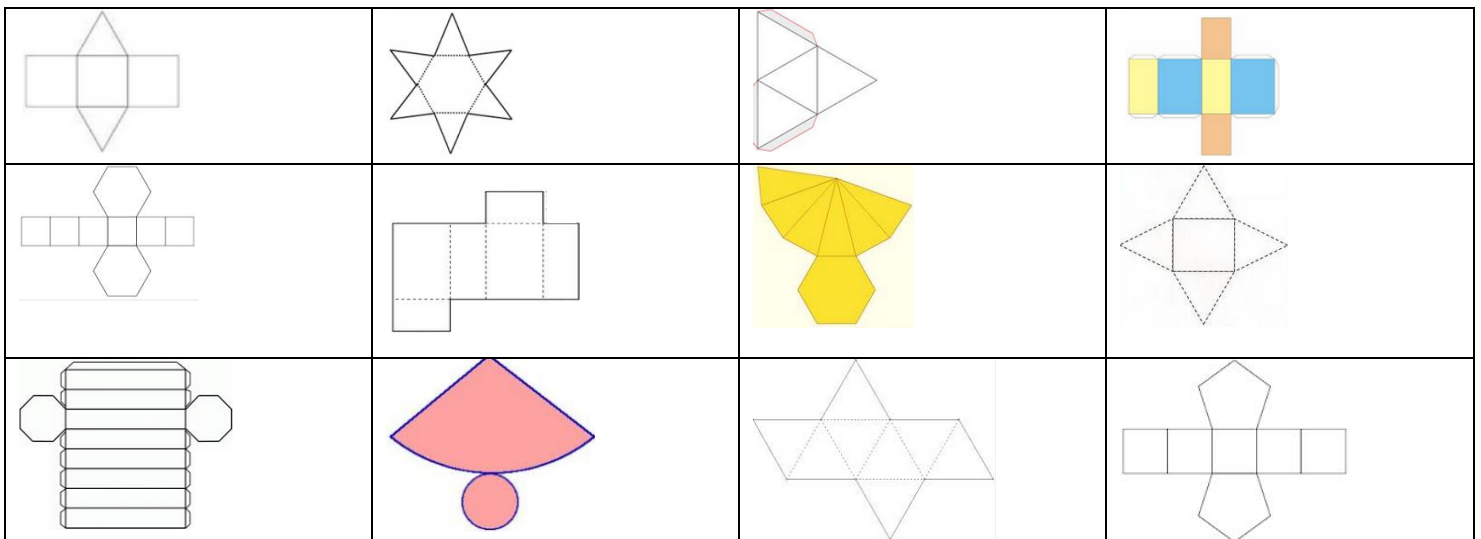
Date: _____

Math 8 HW Section 8.2 Nets of 3D Solids

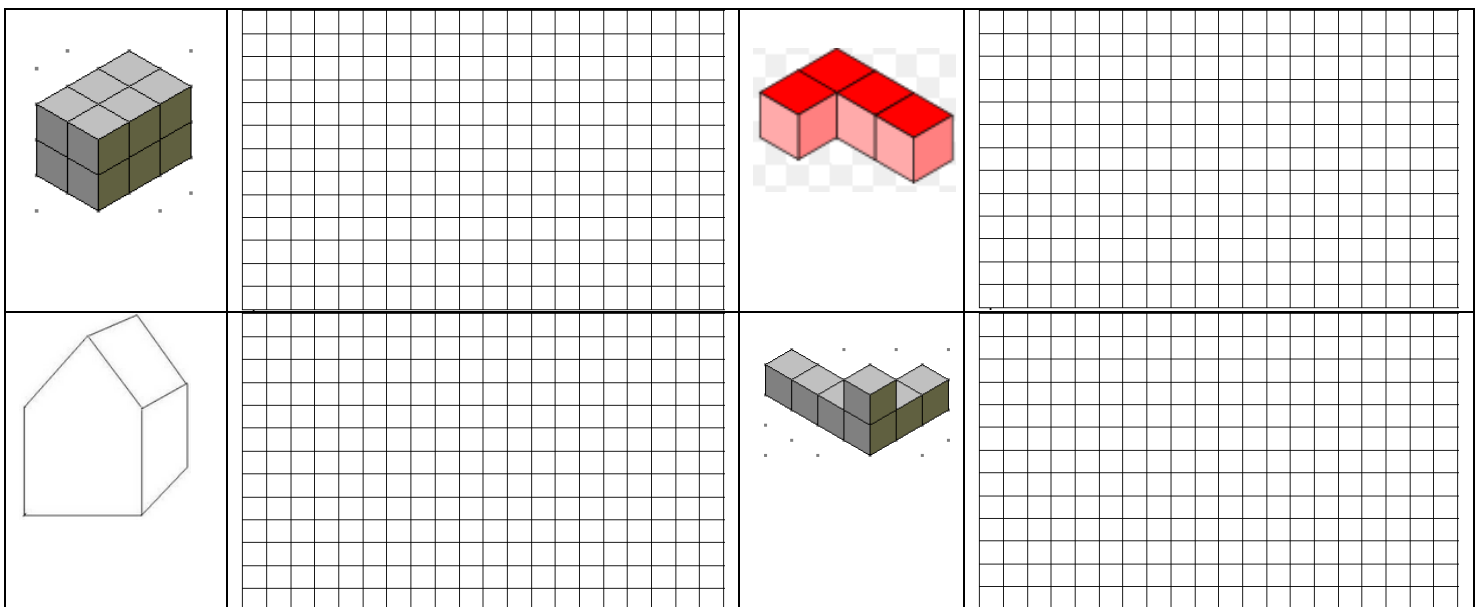
1. Name each of the following solids:

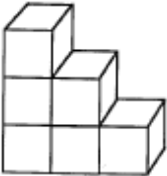
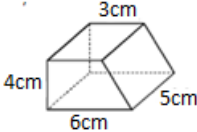


2. Indicate the solids given each of the following nets:



3. Given each solid on the left, draw a net with the grid provided:



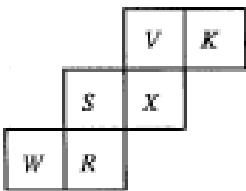
			
---	--	--	--

4. What are the differences between Prisms and Pyramids?

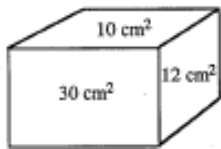
5. How many sides does a pentagonal prism have? Draw a pentagonal prism and a net with the space provided

6. Name and draw two solids with 10 sides only.

7. When the figure is cut out and folded to make a cube, the letter W is on one face. Which letter is on the opposite face?



8. The areas of three of the faces of the rectangular box shown are 10 cm^2 , 12 cm^2 , and 30 cm^2 . What is the volume of the box?



9. An ant wishes to travel from A to B on the surface of a wooden block with dimensions $2 \times 4 \times 8$ as shown. What is the shortest distance the ant can walk?

